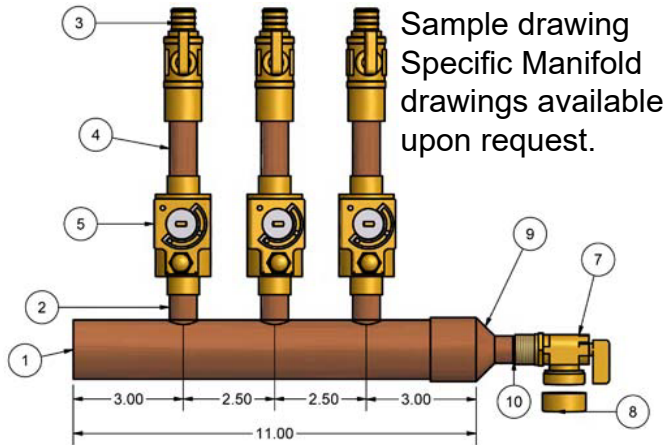




# Precision Plumbing Products

*"Specify with Confidence - Install with Pride"*

## COPPER MANIFOLDS



PPP copper manifolds are available in 3/4" to 2" pipe diameter for the mains with 3/8" to 1" pipe diameter for individual drops. Manufactured in an ISO certified facility, the manifolds are made from type "L" or type "K" copper for strength. Machined brass barbs are brazed, not soldered, to the manifolds. Custom manifolds are available upon request.

Multiple configurations are possible utilizing PEX and Uponor PROPEX barbs, ball valves, compression fittings, and plain "drops". Multiple lengths are also possible up to six-foot "cut-to-fit" manifolds. All manifolds are pressure-tested and include a 3-year leak-free warranty.

### PROJECT SUBMITTAL

Model #: \_\_\_\_\_

Project: \_\_\_\_\_

Contractor: \_\_\_\_\_

Engineer: \_\_\_\_\_

Date Submitted: \_\_\_\_\_

Prepared By: \_\_\_\_\_

### Precision Plumbing Products

Division of JL Industries, Inc.

802 SE 199th  
Portland, Oregon 97233

T (503) 256-4010

F (503) 253-8165

www.pppinc.net



## COPPER MANIFOLDS

Standard manifold configurations and part numbers.  
(Custom configurations available upon request.)

## HEATING MANIFOLDS AND ACCESSORIES

## 1" Copper Manifolds W/Sweat Branch (2 1/2" oc)

10002500	2 Loop 1"x 1/2" Plain Drop
10003500	3 Loop 1"x 1/2" Plain Drop
10006500	6 Loop 1"x 1/2" Plain Drop
100012500	12 Loop 1"x 1/2" Plain Drop

## 1" Copper Manifolds W/brass Pex Barb(2 1/2" oc)

10002500 PB	2 Loop 1"x 1/2" Pex Barb
10003500 PB	3 Loop 1"x 1/2" Pex Barb
10006500 PB	6 Loop 1"x 1/2" Pex Barb
100012500 PB	12 Loop 1"x 1/2" Pex Barb

## 1" Copper Manifolds W/1/2" Ball Valve Pex Barb (2 1/2" oc)

10002500 PBBV	2 Loop 1"x 1/2" Ball Valve W/pexbarb
10003500 PBBV	3 Loop 1"x 1/2" Ball Valve W/pexbarb
10006500 PBBV	6 Loop 1"x 1/2" Ball Valve W/pexbarb
100012500 PBBV	12 Loop 1"x 1/2" Ball Valve W/pexbarb

**1" x 1/2" PEX Barb Ball Valve, A Belled & A Spun Closed end  
(2" Ctrs)**

1003 SBPBBV	3 Loop 1"x 1/2"
1004 SBPBBV	4 Loop 1"x 1/2"
1005 SBPBBV	5 Loop 1"x 1/2"
1006 SBPBBV	6 Loop 1"x 1/2"
1007 SBPBBV	7 Loop 1"x 1/2"
1008 SBPBBV	8 Loop 1"x 1/2"
1009 SBPBBV	9 Loop 1"x 1/2"
10010 SBPBBV	10 Loop 1"x 1/2"
10012SBPBBV	12 Loop 1"x 1/2"

## End Piece 1/8" &amp; 3/8" Air Vents

1000125 EP	1" X 1/8" End Piece
1000375 EP	1" X 3/8" End Piece
1250125 EP	1 1/4" X 1/8" End Piece
1250375 EP	1 1/4" X 3/8" End Piece
1500125 EP	1 1/2" X 1/8" End Piece
1500375 EP	1 1/2" X 3/8" End Piece
1000125-500 EP	1" X 1/8" Ftg X 1/2" Ftg End Piece
1250125-500 EP	1 1/4" X 1/8" Ftg X 1/2" Ftg End Piece
1500125-500 EP	1 1/2" X 1/8" Ftg X 1/2" Ftg End Piece
2000125-500 EP	2" X 1/8" Ftg X 1/2" Ftg End Piece

## 72" Copper Heating Manifolds X 24 Drop (3" oc)

100024500 PBBV	24 Loop 1"x 1/2" Pex Barb W/Ball Valve
100024500 PB	24 Loop 1"x 1/2" Pex Barb
100024500	24 Loop 1"x 1/2" Plain Drop
100024750	24 Loop 1"x 3/4" Plain Drop
125024500	24 Loop 1 1/4"x 1/2" Plain Drop
125024750	24 Loop 1 1/4"x 3/4" Plain Drop
150024750	24 Loop 1 1/2"x 1/2" Plain Drop
200024750	24 Loop 2"x 3/4" Plain Drop
2000241000	24 Loop 2"x 1" Plain Drop

## 72" Copper Heating Manifolds X 18 Drop (4" oc)

100018750-4	18 Loop 1"x 3/4" Plain Drop
125018750-4	18 Loop 1 1/4"x 1/2" Plain Drop
150018750-4	18 Loop 1 1/2"x 3/4" Plain Drop
200018750-4	18 Loop 2" x 3/4" Plain Drop

## 72" Copper Heating Manifolds X 12 Drop (6" oc)

100012750-6	12 Loop 1"x 3/4" Plain Drop
125012750-6	12 Loop 1 1/4"x 1/2" Plain Drop
150012750-6	12 Loop 1 1/2"x 3/4" Plain Drop
200012750-6	12 Loop 2"x 3/4" Plain Drop